



HAMPO-USB-1559-V1.0

8MP Sony IMX415 M12 Fixed Focus USB 2.0 Camera Module



Hampo 003-1559 is a 4K ultra high resolution USB2.0 camera module. This 4K camera module is based on SONY STARVIS™IMX415 CMOS image sensor. Its low light sensitivity delivers exceptional clear color images even at extremely low light or even no light (nearly 0 lux) conditions. It is capable of streaming high frame rate (25 fps) at 4K resolution.

This 4K USB camera is suitable for applications requiring high level of image recognition and detection, making it suitable for intelligent video analytics (IVA) purposes. Mini fixed focus lens USB camera, true and no distortion color image.

Key Features

- High frame rate: A high frame rate at 25fps on full 4K 3864*2228 of resolution. Ultra clear and high quality of video image effect, perfect for high-end of medical and beauty instrument, video conferencing and education equipment, etc.
- Fast Auto focus: Auto focus webcam ensures the camera stay focused on target object automatically even if it move around, presenting image/video in the best state
- Plug&Play: UVC-compliant, support Windows XP/7/8/10, Linux, and Mac OS, just connect the camera to PC, laptop or Raspberry Pi with the USB cable without extra drivers to be installed.
- Applications: Widely used in document scanner, beauty instrument, teaching system, car and ship control, face matching, OCR components, all-in-one machine, advertising machines, environmental monitoring, automatic vending machine, etc.



HAMPO-USB-1559-V1.0 8MP Sony IMX415 M12 Fixed Focus USB 2.0 Camera Module

Camera Module No.	HAMPO-USB-1559-V1.0
Resolution	8MP
Image Sensor	IMX415
Sensor Type	1/2.8"
Pixel Size	1.45 um x 1.45 um
EFL	3.24 mm
F.NO	2.70
Pixel	3840*2160
View Angle	88.2°(DFOV) 80.2°(HFOV) 51°(VFOV)
Lens TTL	22.5 mm
Module Type	Fixed Focus
Lens Model	HAMPO-LENS-2181
Interface	USB 2.0
Output Format	MJPEG / YUV
Auto Control	Saturation, Contrast, Acutance White Balance, Exposure
Audio	Digital Mic
Input Voltage	DC 5V
Working Current	Max 200mA
PCB Size	38mm x 38mm (32mm x 32mm)
System Compatibility	Windows XP (SP2, SP3), Vista, 7, 8, 10, 11 Android, Mac OS, Linux or OS with UVC Driver Raspberry Pi by USB Port
Software for USB Camera	AMCAP, Webcam Viewer, V4L2 Controls Contacam, VLC Player, MotionEye OS iSpy, ZoneMider, Yawcam
IR filter	650nm IR
Operating Temperature	-20°C to +80°C
USB Cable	USB-Cable-U015

Wide Compatibility with Windows, Android, Mac OS, Linux, or Raspberry Pi



Windows

android

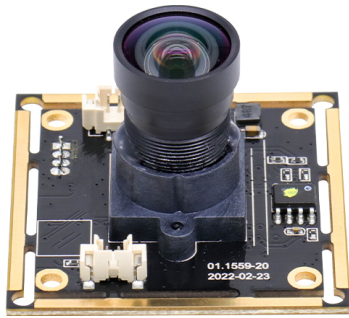
Mac OS

Linux

Raspberry Pi



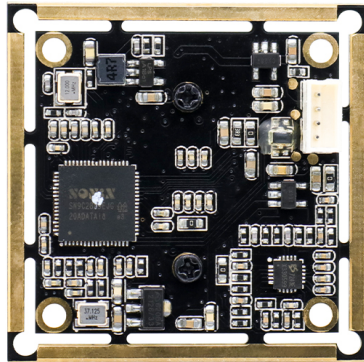
HAMPO-USB-1559-V1.0 8MP Sony IMX415 M12 Fixed Focus USB 2.0 Camera Module



Top View



Side View



Bottom View



Mating Connector



HAMPO-USB-1559-V1.0 8MP Sony IMX415 M12 Fixed Focus USB 2.0 Camera Module

FORMAT	RESOLUTION	FRAME RATE
		USB 2.0
MJPG	640 x 480 (VGA)	25 FPS
	1280 x 720 (720P)	25 FPS
	1920x 1080 (1080P)	25 FPS
	3864*2228(8MP)	25 FPS
YUV2	640 x 480 (VGA)	25 FPS
	1280 x 720 (Super VGA)	10 FPS
	1920x 1080 (1080P)	5 FPS
	3864 x 2228 (8MP)	2 FPS

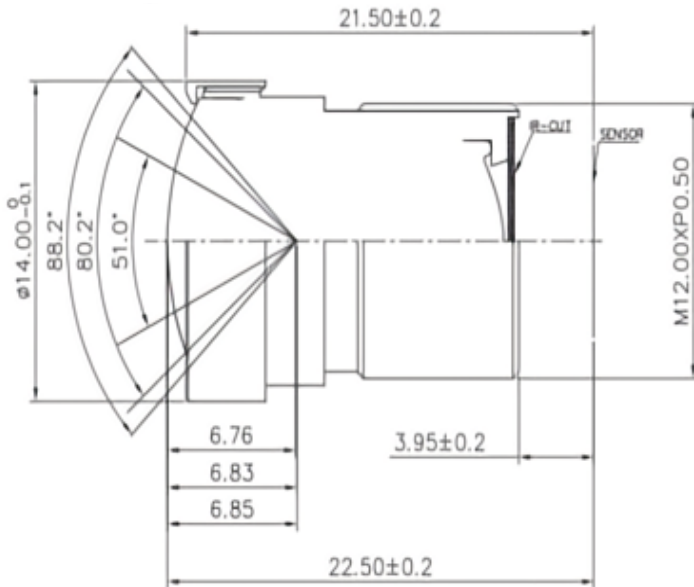
NOTE:

1.All surfaces are AR coated

2.IR Filter SPEC.

Tavg	≥92%	440~630nm
Tmin	≥88%	440~630nm
T=50%		650~670nm
T<3%		700~1000nm

3.Material applied tally with ROHS standard



SPECIFICATION

Sensor Type	IMX415(1/2.8)_3840*2160
Focal Length	3.24mm
Total Length	22.50mm
F/NO	2.70
Mechanical BFL	3.95
Optical FOV(D)	88.2°(γ=3.195mm)
Optical FOV(H)	80.2°(γ=2.78mm)
Optical FOV(V)	51°(γ=1.57mm)
TV DISTORTION	<-0.12%
OPTICAL DISTORTION	<-1.68%
Relative Illumination	>70%
Chief Ray Angle	<10°
Construction	4Glass+2Plastic+1 IR-CUT

REV	DISCRIPTION	NAME	DATE
1			
2			
3			
4			

REV	DISCRIPTION	NAME	DATE	PART NAME	2181B6
1					
2		DRAWN			
3		CHECKED			
4		APPROVED			
				VIEW	
				SCALE	5:1

[Product Information]

IMX415-AAQR

Ver.1.0

Diagonal 6.43 mm (Type 1/2.8) CMOS Solid-state Image Sensor with Square Pixel for Color Cameras

Description

The IMX415-AAQR is a diagonal 6.4 mm (Type 1/2.8) CMOS active pixel type solid-state image sensor with a square pixel array and 8.46 M effective pixels. This chip operates with analog 2.9 V, digital 1.1 V, and interface 1.8 V triple power supply, and has low power consumption. High sensitivity, low dark current and no smear are achieved through the adoption of R, G and B primary color mosaic filters. This chip features an electronic shutter with variable charge-integration time.

(Applications: Surveillance cameras, FA cameras, Industrial cameras)

Features

- ◆ CMOS active pixel type dots
- ◆ Built-in timing adjustment circuit, H/V driver and serial communication circuit
- ◆ Input frequency: 24 MHz / 27 MHz / 37.125 MHz / 72 MHz / 74.25 MHz
- ◆ Number of recommended recording pixels: 3840 (H) × 2160 (V) approx. 8.29 M pixels
- ◆ Readout mode
 - All-pixel scan mode
 - Horizontal / Vertical 2/2-line binning mode
 - Window cropping mode
 - Horizontal / Vertical direction - Normal / Inverted readout mode
- ◆ Readout rate
 - Maximum frame rate in
 - All-pixel scan mode: 12 bit: 60.3 frame/s, 10 bit: 90.9 frame/s
- ◆ High dynamic range (HDR) function
 - Multiple exposure HDR
 - Digital overlap HDR
- ◆ Synchronizing sensors function
- ◆ Variable-speed shutter function (resolution 1H units)
- ◆ CDS / PGA function
 - 0 dB to 30 dB : Analog Gain 30 dB (step pitch 0.3 dB)
 - 30.3 dB to 72 dB : Analog Gain 30 dB + Digital Gain 0.3 dB to 42 dB (step pitch 0.3 dB)
- ◆ Supports I/O
 - CSI-2 serial data output (2 Lane / 4 Lane), RAW10 / RAW12 output
- ◆ Recommended exit pupil distance: -30 mm to $-\infty$

STARVIS

* STARVIS is a trademark of Sony Corporation. The STARVIS is back-illuminated pixel technology used in CMOS image sensors for surveillance camera applications. It features a sensitivity of 2000 mV or more per $1 \mu\text{m}^2$ (color product, when imaging with a 706 cd/m^2 light source, F5.6 in 1 s accumulation equivalent), and realizes high picture quality in the visible-light and near infrared light regions.

Sony reserves the right to change products and specifications without prior notice.
Sony logo is a registered trademark of Sony Corporation.

Device Structure

- ◆ CMOS image sensor
- ◆ Image size Diagonal 6.4 mm (Type 1/2.8) approx. 8.40 M pixels, All pixels
- ◆ Total number of pixels 3864 (H) × 2228 (V) approx. 8.60 M pixels
- ◆ Number of effective pixels 3864 (H) × 2192 (V) approx. 8.46 M pixels
- ◆ Number of active pixels 3864 (H) × 2176 (V) approx. 8.40 M pixels
- ◆ Number of recommended recording pixels 3840 (H) × 2160 (V) approx. 8.29 M pixels
- ◆ Unit cell size 1.45 μm (H) × 1.45 μm (V)
- ◆ Optical black
Horizontal (H) direction: Front 0 pixel, rear 0 pixel
Vertical (V) direction: Front 36 pixels, rear 0 pixel
- ◆ Dummy
Horizontal (H) direction: Front 0 pixel, rear 0 pixel
Vertical (V) direction: Front 1 pixel, rear 1 pixel
- ◆ Package 114 pin LGA

Image Sensor Characteristics

(Tj = 60 °C)

Item		Value	Remarks
Sensitivity (F5.6)	Typ.	2048 Digit	1/30 s accumulation 12 bit converted value
Saturation signal	Min.	3895 Digit	12 bit converted value

Basic Drive Mode

Drive mode	Recommended number of recording pixels	Maximum frame rate [frame/s]	Output interface	ADC [bit]
All pixel	3840 (H) × 2160 (V) approx. 8.29 M pixels	90.9	CSI-2	10
Horizontal/ Vertical 2/2-line binning	1920 (H) × 1080 (V) approx. 2.07 M pixels	90.9	CSI-2	10



Camera Reliability Test

Reliability Inspection Item		Testing Method	Acceptance Criteria	
Category	Item			
Environmental	Storage Temperature	High 60°C 96 Hours	Temperature Chamber	No Abnormal Situation
		Low -20°C 96 Hours	Temperature Chamber	No Abnormal Situation
	Operation Temperature	High 60°C 24 Hours	Temperature Chamber	No Abnormal Situation
		Low -20°C 24 Hours	Temperature Chamber	No Abnormal Situation
	Humidity	60°C 80% 24 Hours	Temperature Chamber	No Abnormal Situation
	Thermal Shock	High 60°C 0.5 Hours Low -20°C 0.5 Hours Cycling in 24 Hours	Temperature Chamber	No Abnormal Situation
Physical	Drop Test (Free Falling)	Without Package 60cm	10 Times on Wood Floor	Electrically Functional
		With Package 60cm	10 Times on Wood Floor	Electrically Functional
	Vibration Test	50Hz X-Axis 2mm 30min	Vibration Table	Electrically Functional
		50Hz Y-Axis 2mm 30min	Vibration Table	Electrically Functional
		50Hz Z-Axis 2mm 30min	Vibration Table	Electrically Functional
	Cable Tensile Strength Test	Loading Weight 4 kg 60 Seconds Cycling in 24 Hours	Tensile Testing Machine	Electrically Functional
Electrical	ESD Test	Contact Discharge 2 KV	ESD Testing Machine	Electrically Functional
		Air Discharge 4 KV	ESD Testing Machine	Electrically Functional
	Aging Test	On/Off 30 Seconds Cycling in 24 Hours	Power Switch	Electrically Functional
	USB Connector	On/Off 250 Times	Plug and Unplug	Electrically Functional





Camera Inspection Standard

Inspection Item		Inspection Method	Standard of Inspection		
Category	Item				
Appearance	FPC/ PCB	Color	The Naked Eye	Major Difference is Not Allowed.	
		Be Torn/Chopped	The Naked Eye	Copper Crack Exposure is Not Allowed.	
		Marking	The Naked Eye	Clear, Recognizable (Within 30cm Distance)	
	Holder	Scratches	The Naked Eye	The Inside Crack Exposure is Not Allowed	
		Gap	The Naked Eye	Meet the Height Standard	
		Screw	The Naked Eye	Make Sure Screws Are Presented (If Any)	
		Damage	The Naked Eye	The Inside Crack Exposure is Not Allowed	
	Lens	Scratch	The Naked Eye	No Effect On Resolution Standard	
		Contamination	The Naked Eye	No Effect On Resolution Standard	
		Oil Film	The Naked Eye	No Effect On Resolution Standard	
		Cover Tape	The Naked Eye	No Issue On Appearance.	
	Function	Image	No Communication	Test Board	Not Allowed
			Bright Pixel	Black Board	Not Allowed In the Image Center
Dark Pixel			White board	Not Allowed In the Image Center	
Blurry			The Naked Eye	Not Allowed	
No Image			The Naked Eye	Not Allowed	
Vertical Line			The Naked Eye	Not Allowed	
Horizontal Line			The Naked Eye	Not Allowed	
Light Leakage			The Naked Eye	Not Allowed	
Blinking Image			The Naked Eye	Not Allowed	
Bruise			Inspection Jig	Not Allowed	
Resolution			Chart	Follows Outgoing Inspection Chart Standard	
Color			The Naked Eye	No Issue	
Noise			The Naked Eye	Not Allowed	
Corner Dark			The Naked Eye	Less Than 100px By 100px	
Color Resolution			The Naked Eye	No Issue	
Dimension	Height	The Naked Eye	Follows Approval Data Sheet		
	Width	The Naked Eye	Follows Approval Data Sheet		
	Length	The Naked Eye	Follows Approval Data Sheet		
	Overall	The Naked Eye	Follows Approval Data Sheet		

Dongguan Hampo Electronic Technology Co., Ltd.
Address No. 58, New Arising Industrial Zone,
Tangxia Town, Dongguan, Guangdong, China

Web www.HampoTech.com
E-mail
Fairy@hampotech.com
Ella@hampotech.com

Tel (+86) 769 8798 9852
Fax (+86) 879 8798 9853
Mobile (+86) 158 1867 7270

Skype FairyTan
WeChat (+86) 15818677270
WhatsApp (+86) 15818677270



Company HAMPO

Dongguan Hampo Electronic Technology Co., Ltd. was established in 2015, a next-generation technology driven manufacturer specialized in research, design, and produce of audio and video products. Hampo is occupying 150,000 square feet automated plants with 500 employees of annual throughput 180,000,000 units cameras.

Hampo provides OEM, ODM design, contract manufacturing, and builds the camera products. You may provide the requirements to us, even with a hand draft, our sales and engineering work together to meet your needs. We consider ourselves your last-term partner in developing practical and innovative solutions.

Our team covers everything from initial concept development to mass produced product. Hampo specializes in customized camera design, raw material, electronic engineering, firmware/software development, product testing, and packing design. Our experienced strategic supply systems offer a robust and dependable manufacturing capacity for orders of various sizes.



Limited Warranty

Hampo provides the following limited warranty if you purchased the Product(s) directly from Hampo company or from Hampo's website, www.hampotech.com. Product(s) purchased from other sellers or sources are not covered by this Limited Warranty. Hampo guarantees that the Product(s) will be free from defects in materials and workmanship under normal use for a period of one (1) year from the date you receive the product ("Warranty Period").

For all Product(s) that contain or develop material defects in materials or workmanship during the Warranty Period, Hampo will, at its sole option, either: (i) repair the Product(s); (ii) replace the Product(s) with a new or refurbished Product(s) (replacement Product(s) being of identical model or functional equivalent); or (iii) provide you a refund of the price you paid for the Product(s).

This Limited Warranty of Hampo is solely limited to repair and/or replacement on the terms set forth above. Hampo is not reliable or responsible for any subsequent events.

